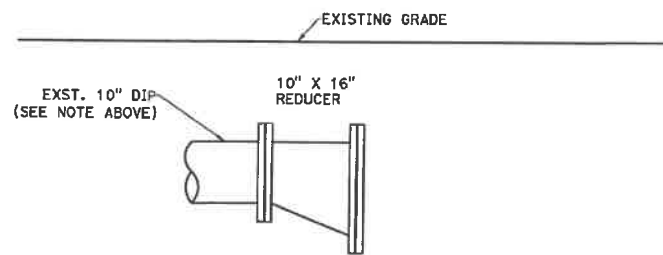
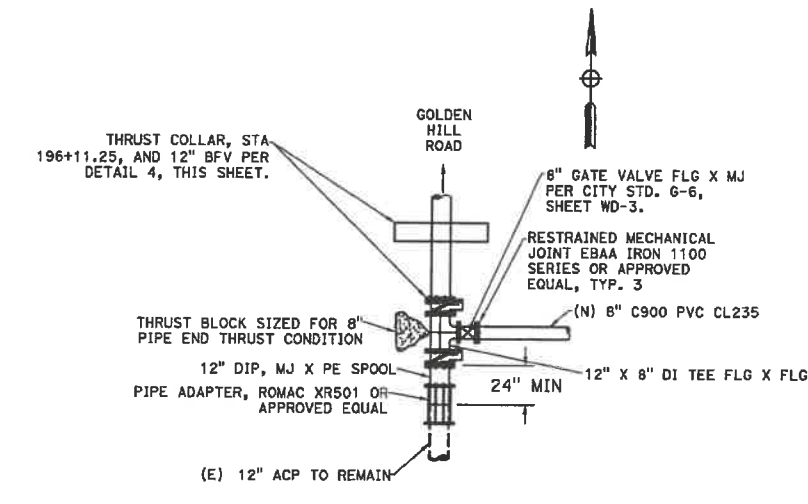


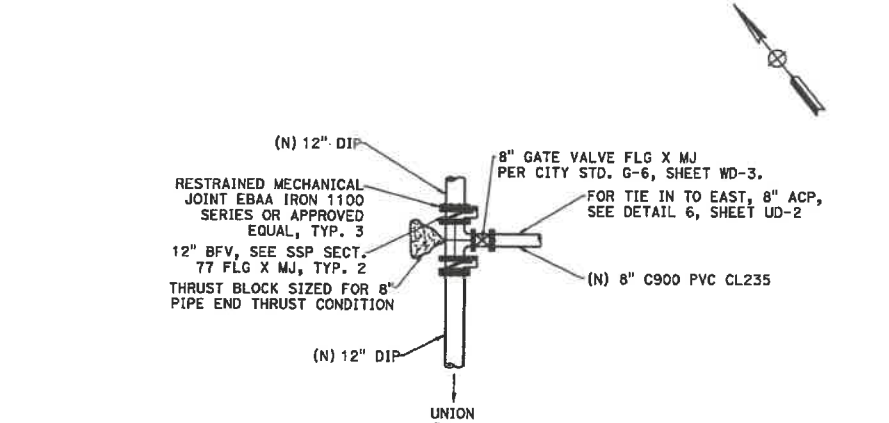
1 INTERSECTION VALVE CLUSTERS Scale: 1" = 2'



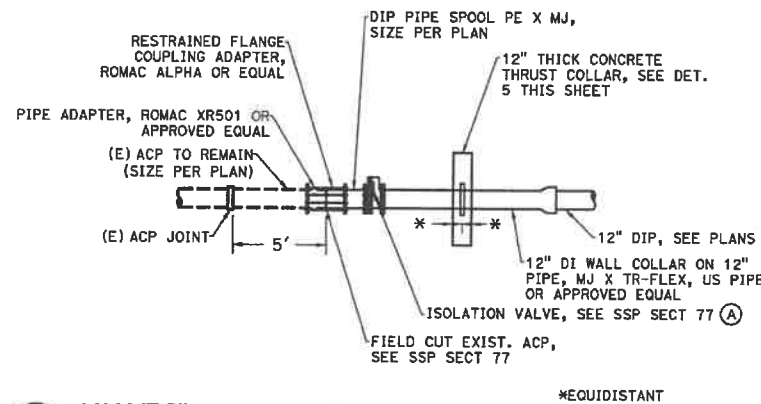
A REDUCER SECTION Scale: 1" = 2'



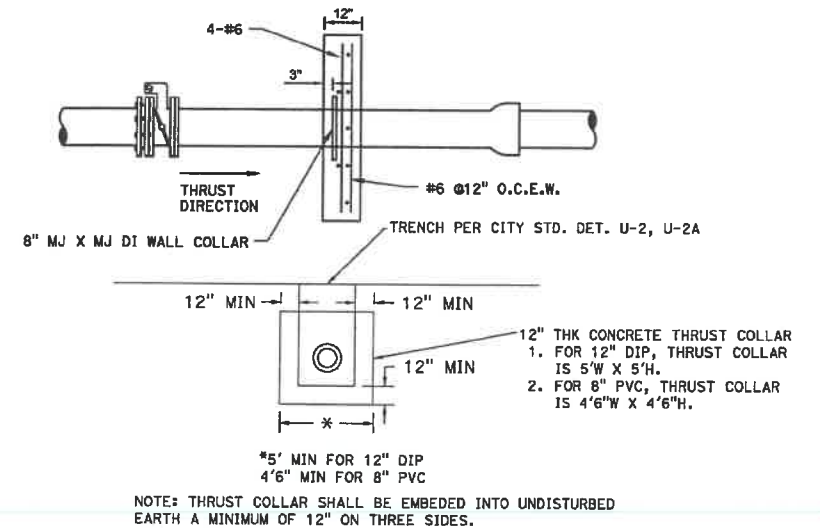
2 WATERLINE TIE-IN DETAIL - GOLDEN HILL ROAD AT ARDMORE ROAD Scale: 1" = 5'



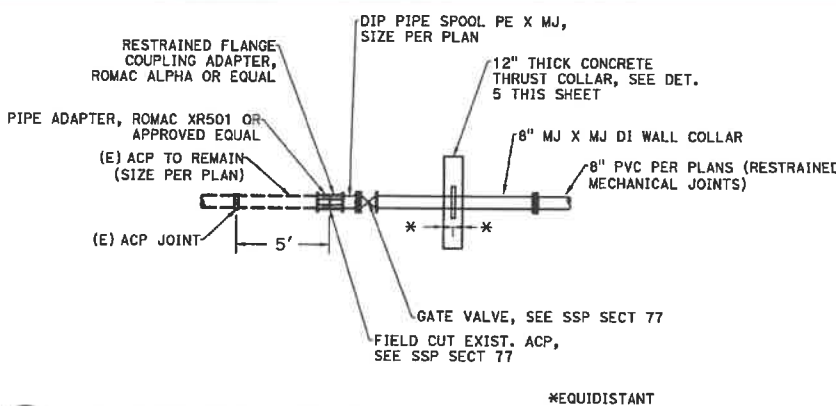
3 WATERLINE TIE-IN DETAIL - 2900 UNION ROAD Scale: 1" = 5'



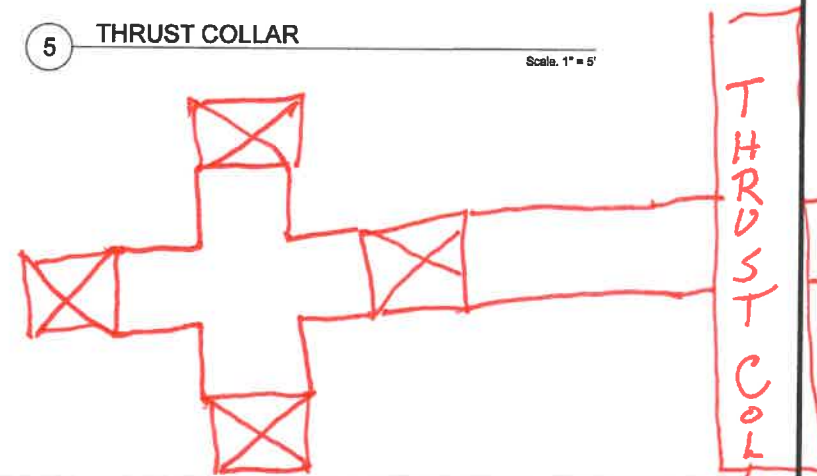
4 VALVE TIE-IN FOR 12" PIPE Scale: NTS



5 THRUST COLLAR Scale: 1" = 5'



6 VALVE TIE-IN FOR 8" PIPE Scale: NTS

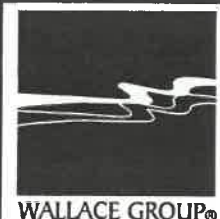


FILE NAME: 0907-0039\_UPL\_ACT-LOWING PROJ DATE: 11/29/2021 2:54 PM BRETHMAN PERCE



**CITY OF PASO ROBLES**  
PUBLIC WORKS DEPARTMENT  
1000 SPRING STREET  
PASO ROBLES, CA 93446

SCALE: HORIZ AS SHOWN  
VERT N/A  
ORIGINAL SCALE IN INCHES  
FOR REDUCED PLANS



CIVIL AND TRANSPORTATION ENGINEERING  
CONSTRUCTION MANAGEMENT  
LANDSCAPE ARCHITECTURE  
MECHANICAL ENGINEERING  
PLANNING  
PUBLIC WORKS ADMINISTRATION  
SURVEYING / GIS SOLUTIONS  
WATER RESOURCES  
612 CLARION COURT  
SAN LUIS OBISPO, CA 93401  
T 805 544-4011 F 805 544-4294  
www.wallacegroup.us

*Steven G. Tanaka*  
PROJECT ENGINEER  
NOVEMBER 30, 2021  
PLANS APPROVAL DATE



REVISIONS			
NO.	BY	DATE	DESCRIPTION

ACCEPTED BY THE CITY CAPITAL PROJECTS ENGINEER  
*D. Esperanza* 12-7-2021  
DITAS ESPERANZA RCE: 34608

GOLDEN HILL ROAD/UNION ROAD INTERSECTION IMPROVEMENTS WATER DETAILS					
WD-1					
DESIGNED BY	DRAWN BY	CHECKED BY	JOB NUMBER	SHEET	OF
SGT/JJC	JJC	SGT	0067-0039	56	94
DISREGARD PRINTS BEARING EARLIER REVISION DATE			REVISION DATES (PRELIMINARY STAGE ONLY)		